



HVLS INDUSTRIAL CEILING FAN

OPERATING INSTRUCTION

MODEL:YS-7300



- 1. Preface**
- 2. Operating limits and specifications**
- 3. Parts and installation**
- 4. Circuit installation**
- 5. Basic operation and operation**
- 6. Regular inspection and maintenance**
- 7. Installation environment requirements**
- 8. Installation methods of different suspension point**

catalog

1. Introduction.....	05
1.1 notice to users.....	05
1.2 Safety regulations.....	05
2. Operating limits and specifications.....	06
2.1 operation restrictions.....	06
2.2 Specifications and models.....	07
3. Components and installation.....	07
3.1 name of parts and installation accessories.....	08
3.2 Installation steps.....	09
3.3 Installation methods	10
4. Circuit installation.....	10
5. Basic operation and operation.....	11
5.1 control box.....	11
5.2 Precautions for trial operation and use.....	12
6. Regular inspection and maintenance.....	13
7. Installation environment requirements.....	14

PROFILE

Thank you for purchasing the industrial AC ceiling fan. This manual describes how to use this product correctly.

Before using (installation, wiring, operation, maintenance, inspection, etc.), please read this manual carefully. In addition, please do not use the product until you understand the safety precautions.

IMPORTANT

Precautions for disinfection and insecticide of wood packaging materials (including wooden cases, plywood, pallets, etc.). During transportation and installation When packaging, wood material should be given an example: heat treatment (core temperature above 56C, processing more than 30 minutes)

When fumigated wood is used to package electrical products, the gases and vapors produced by the wood can cause fatal damage to electronic components. Especially Halogen disinfectants (fluorine, chlorine, bromine, iodine, etc.) may cause internal corrosion of capacitors.

In addition, it is necessary to deal with the packing material before packaging, rather than After packaging, the overall treatment is carried out.

SAFETY PRECAUTIONS

GENERAL CONSIDERATIONS

To illustrate the details of the product, the illustrations in this specification are

sometimes in the state of removing the cover or safety cover. When you run this product, please press it.

Stipulate that the outer cover or cover should be installed and run according to the contents of the instruction manual.

Due to product improvement or specification change, and in order to improve the convenience of the instructions, this instructions may be changed without notice.

If you need to order instruction due to damage or loss, please contact our company for sale and give us the information number on the cover.

DANGER

Please pay attention to all information about safety in this instruction manual. If you do not comply with the warning, it may cause death or serious injury.

Please note that the damage and equipment damage caused by the customer's failure to comply with the instructions. Our company will not take any responsibility.

In order to prevent electric shock

Do not repair, inspect or replace parts for non professionals.

Otherwise there will be an electric shock.

Do not operate in the condition of dismantling the controller shell.

otherwise there will be an electric shock.

Do not connect with the power supply,

otherwise there will be danger of electric shock,

Before checking, please cut off the power supply of all equipment, even if the power supply is cut off, there is residual voltage in the internal capacitor. When the

AC voltage of the main circuit falls below 50V, wait for more than one minute after confirming that all the lights are out and the AC voltage of the main circuit has dropped to a safe level.

WARNING

Safety measures for restarting industrial ceiling fans Industrial ceiling fan may suddenly operate when they are energized, causing danger of death or serious injury.

Before switching on the power supply of the ceiling fan, please make sure that there is no person or other object in the area touched by the rotation of the ceiling fan and the fan blade .more than 1 meter away from the fan blade.

In order to prevent electric shock

It is strictly prohibited to transform industrial ceiling fans or controllers. Otherwise, there is a risk of electric shock or physical injury.

If the customer remodels the product, the company will not be responsible for any liability.

Do not remove the controller's shell or key operation panel or touch pad.

Otherwise. the danger of electric shock and the operation of industrial ceiling fans will be affected.

In order to prevent fire

Before electrified, please confirm whether the rated voltage of the industrial ceiling fans consistent with the power supply voltage If the power ,supply voltage of the main circuit is mistaken, it will cause damage to the product. and there will be a risk of fire.

1.PREFACE

1.1 user notes

The installation instructions are carefully read by installers, operators and maintainers, and must be strictly followed. Installation and maintenance of ceiling fans must be undertaken by professionals.

During the transportation and installation of the motor, pay attention to protect the product to avoid damage.

1.2 safety regulations

Please confirm in advance whether the input voltage is consistent with this product.

When operating the controller, comply Electrostatic protection measures (ESD) fixed steps. Otherwise, the circuit inside the controller will be damaged by static electricity,

Installation, operation and maintenance of the machine are limited to the following personnel:

Designated head of security, trained and experienced personnel.

This manual may cause injury to person, equipment or the environment to be warned, must be strictly complied with.

Keep children away when running or stopped.

2. OPERATION LIMITS AND PARAMETERS

2.1 operation restrictions

The company shall not be liable for any damage caused by improper use or use of the products beyond the prescribed scope.

The product and accessories are designed according to the parameters provided by the user. If the parameters are changed, please inform the company in time to confirm its feasibility.

The product should not be operated in unstable areas, such as high frequency vibration areas and long-term turbulence areas, Please make sure the placement area is stable.

The product shall not be operated in harsh environment, such as freezing, corrosion, explosion and dust gas concentration exceeding the standard

2.2 specification

MODEL No	Diameter (MM)	Blade number(PCS)	Power (KW)	Speed(RPM)	Weight(KG)	Air volume (m ³ /min)	Area(m ²)
YS-7300-10	7300	10	1.5	20-55	165	18700	1150
YS-7300-8		8			145	15000	900
YS-7300-6		6			140	13500	850
YS-7300-5		5			135	13000	800
YS-6700-10	6700	10	1.5	20-55	155	15600	960
YS-6700-8		8			140	12500	770
YS-6700-6		6			135	11000	670
YS-6700-5		5			130	10600	650
YS-6100-10	6100	10	1.5	20-55	150	13000	800
YS-6100-8		8			135	10500	650
YS-6100-6		6			130	9000	550
YS-6100-5		5			125	8800	520
YS-5500-10	5500	10	1.5	20-55	145	11000	670
YS-5500-8		8			130	8800	540
YS-5500-6		6			125	7500	460
YS-5500-5		5			120	7200	420
YS-4900-10	4900	10	1.5	20-55	140	10500	600
YS-4900-8		8	1.1	20-72	125	7000	430
YS-4900-6		6			120	6000	370
YS-4900-5		5			115	5200	330
YS-4500-10	4500	10	1.1	20-72	130	9500	500
YS-4500-8		8			120	6000	370
YS-4500-6		6			115	5000	300
YS-4500-5		5			110	4500	260
YS-4000-10	4000	10	1.1	20-72	125	7200	400
YS-4000-8		8			115	5400	300
YS-4000-6		6			110	4500	250
YS-4000-5		5			105	4000	230
YS-3600-10	3600	10	1.1	20-72	120	5000	330
YS-3600-8		8			110	3800	230
YS-3600-6		6			105	3300	200
YS-3600-5		5			100	3000	180
YS-3000-8	3000	8	0.75	20-100	95	2700	160
YS-3000-6		6			90	2300	140
YS-3000-5		5			85	2000	120

220V-240V

380V-480V

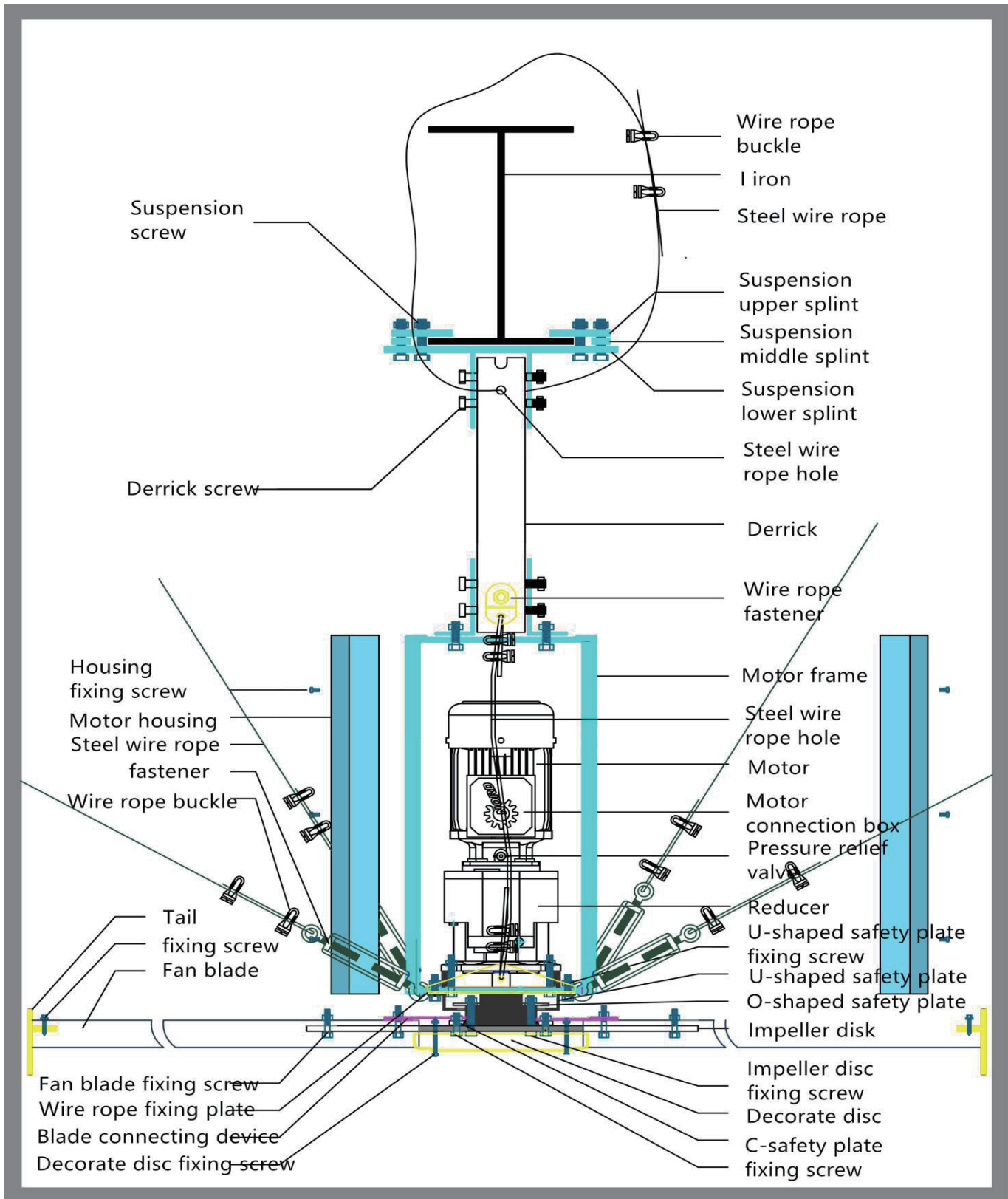
110

Single phase

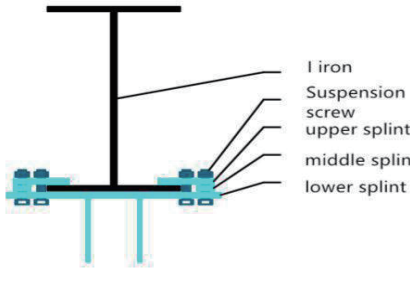
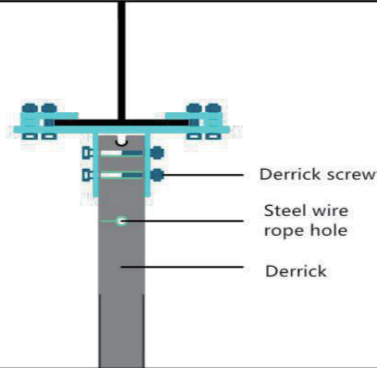
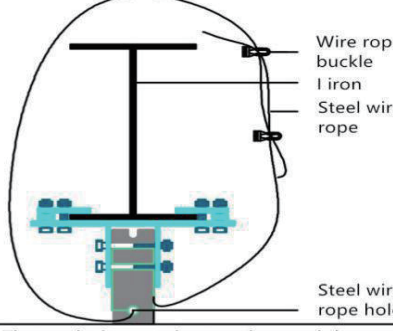
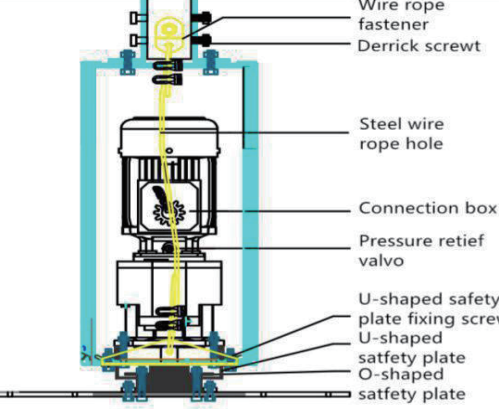
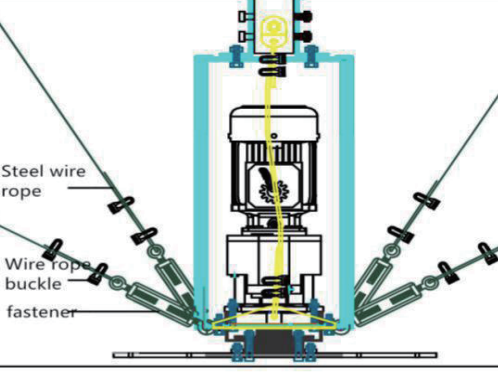
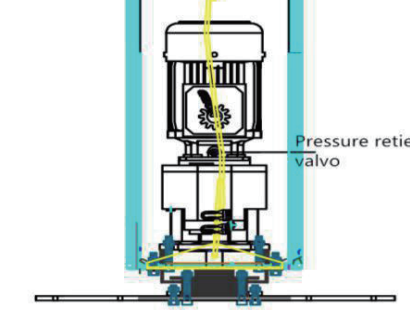
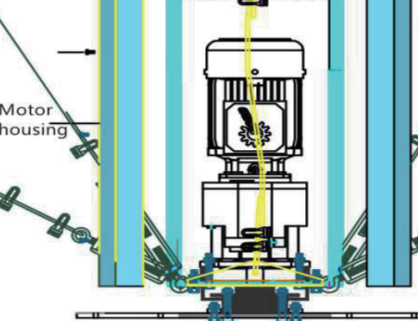
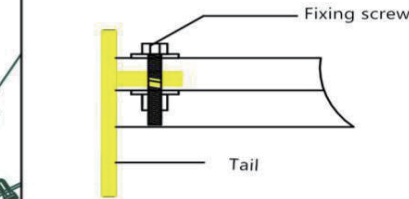

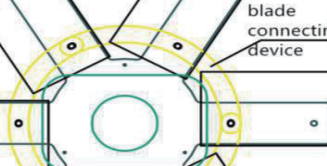
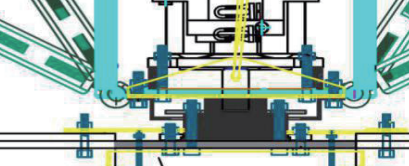
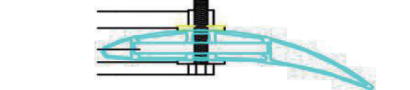
Three phase

3.COMPONENTS AND INSTALLATION

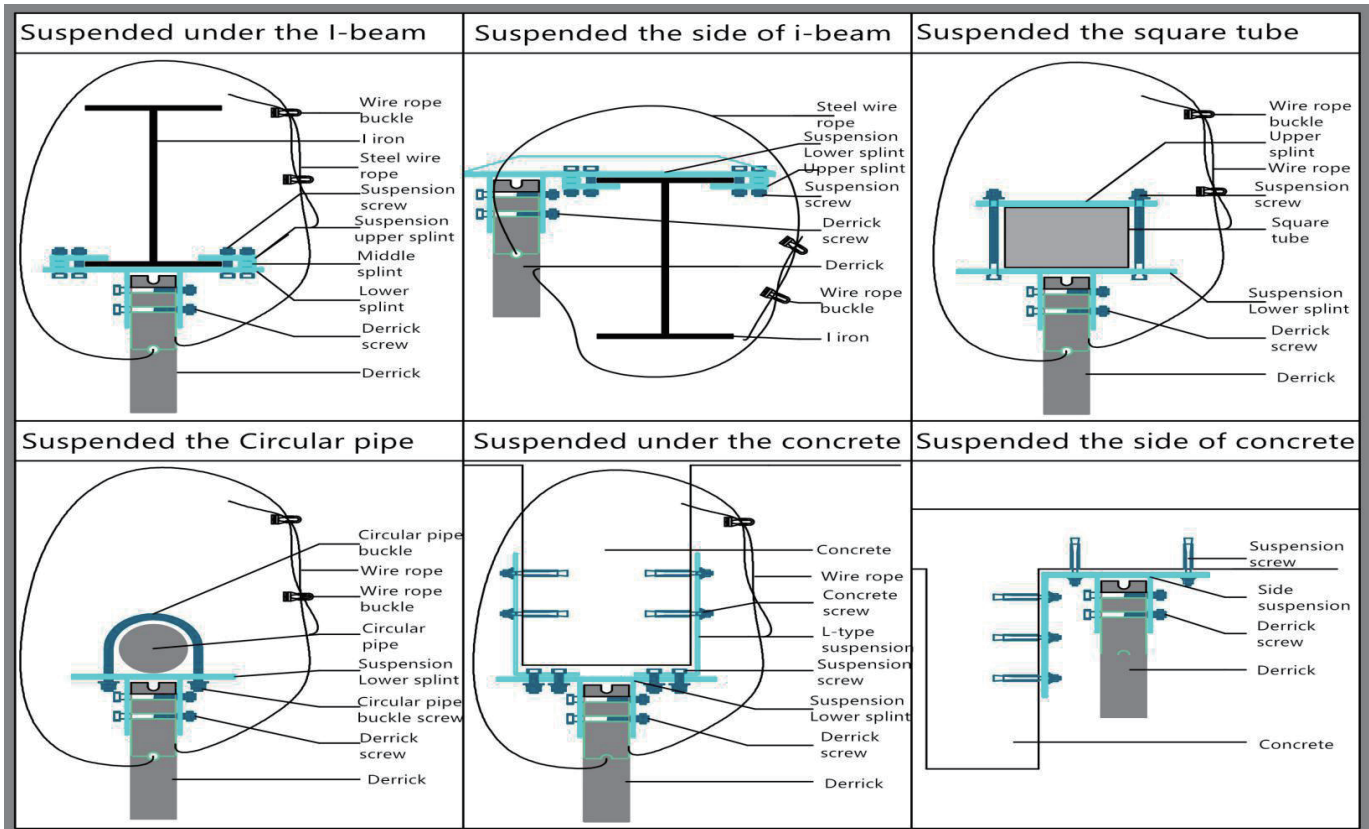
3.1 Industrial fan structure diagram



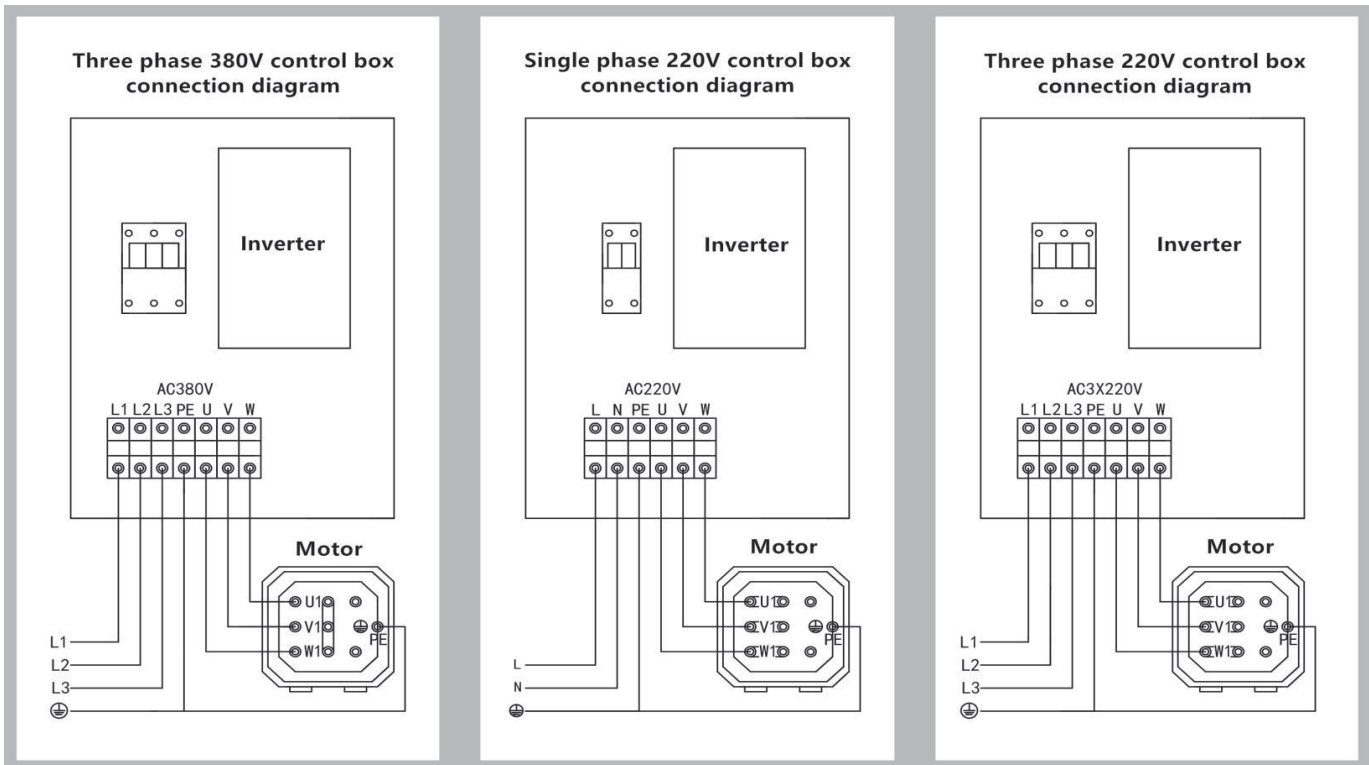
3.2 installation step

 <p>I iron Suspension screw upper splint middle splint lower splint</p>	 <p>Derrick screw Steel wire rope hole Derrick</p>	 <p>Wire rope buckle I iron Steel wire rope Steel wire rope hole</p>
<p>1. Install i-steel clamps and lock screws</p>	<p>2. Install the boom and lock the screws</p>	<p>3. The steel wire rope is wound around the steel beam through the hole of the boom and is locked by the buckle</p>
 <p>Wire rope fastener Derrick screw Steel wire rope hole Connection box Pressure relief valvo U-shaped safety plate fixing screw U-shaped safety plate O-shaped safety plate</p>	 <p>Steel wire rope Wire rope buckle fastener</p>	<p>three phase 380v-480v MOTOR U V W PE</p> <p>three phase 200V-220V single phase 200V-220V MOTOR U V W PE</p>
<p>4. Lift the motor and fix the safety wire rope and lock the screw</p>	<p>5. Install four balance wire ropes, fix them on the roof, make the boom perpendicular to the ground, lock the screws and tighten the wire rope</p>	<p>6. Connect the power cord to the motor</p>
 <p>Pressure relief valvo</p>	 <p>Motor housing</p>	 <p>Fixing screw Tail</p>
<p>7. Unplug the relief valve</p>	<p>8. Install motor housing</p>	<p>9. Install tail before installing the fan blade</p>
 <p>Installation requirements: 1. Use padded gaskets on both sides of the blade 2. Tighten the screws</p>	 <p>blade connecting device</p>	 <p>Decorate disc fixing screw</p>
 <p>3. Fan blade connection must be installed 4. If the above requirements are not completed, noise will be generated when the fan is running</p>	<p>10. Install the blade and the blade connecting device</p>	<p>11. Install impeller disc and decorative disc</p>

3.3 Installation methods of suspension points



4. Circuit installation



5. Control box, basic operation

5.1 Control box description



5.2 precautions for initial operation and use

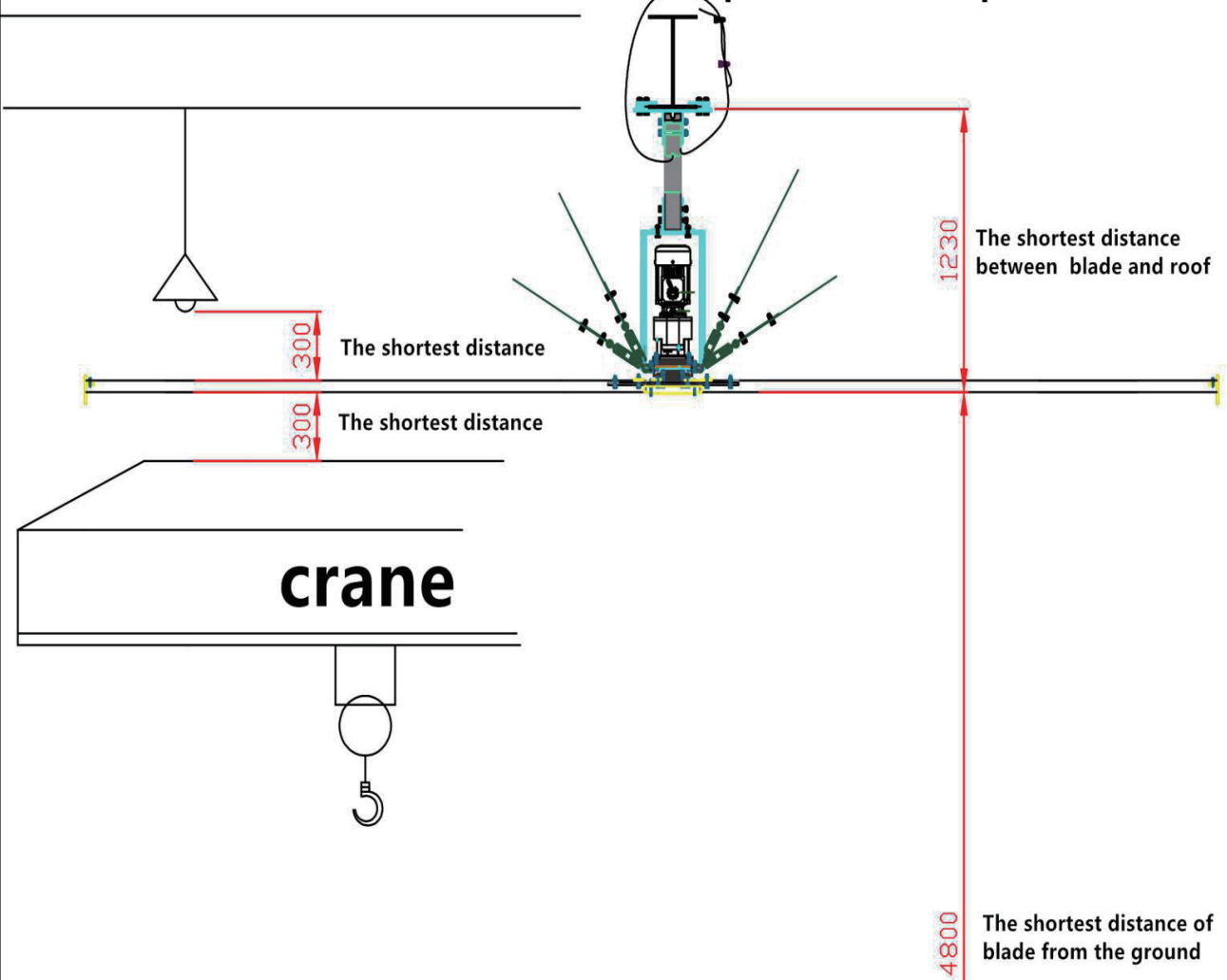
- A. Before commissioning and operation of the fan, please read this manual carefully by the operator to ensure that there is no operator under the fan, that there is no obstruction during operation of the fan, and that the power supply voltage meets the requirements
- B. Switch on the power
- C. Open the circuit breaker in the control box
- D. Rotate the switch to [on], fan start
- E. Click the panel speed control switch to adjust the speed
- F. If the reverse rotation of the fan is found, change the positions of any two of the output fire wire U.V. W
- G. Turn off the fan: rotate the switch to [off]. Do not turn off the circuit breaker or the power supply in the box until the fan stops completely.
- H. If the fan is frequently used, it is not necessary to turn off the circuit breaker in the control box or the power supply, just use the switch on the panel

6.Regular inspection and maintenance

Project	Inspection	Fault resolution
whole machine	1. Whether there are aged and corroded parts 2. Whether there are damaged or deformed parts 3. Whether there is dirt,garbage, dust 4. Whether screws and wire ropes are loose	A. replace damaged parts B. Contact the company after sales C. clear of dust and garbage D. Tighten screws and wire ropes
Gear motor	Operation is whether there is abnormal sound or vibration	A. stop using, contacting and consulting the company's after-sales service B. Check the condition of parts and fastening connections and tighten all fastening screws
Control box	1. Whether the indicator light is displayed normally 2. Whether the operation knob can be used normally 3. Whether the cooling fan works normally 4. Whether the dust screen is dirty and blocked	A. replace damaged parts B. Clean and wipe away dirt

7.Environmental installation requirement

Industrial fan installation environmental requirements and precautions



Installation conditions:

1. Building structure: H beam, I beam, reinforced concrete, ball column Structure etc.
2. The total height of the building should be greater than or equal to 4.8m
3. The minimum safe distance between fan blades and obstacles is 0.3 meters



**We not only provide products,
but also complete ventilation scheme**

Intelligent technology

intelligent life